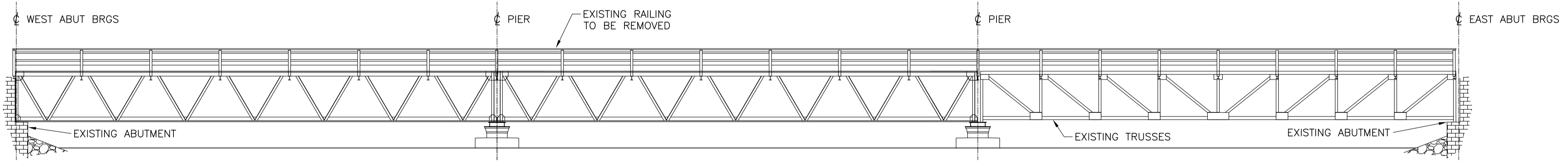


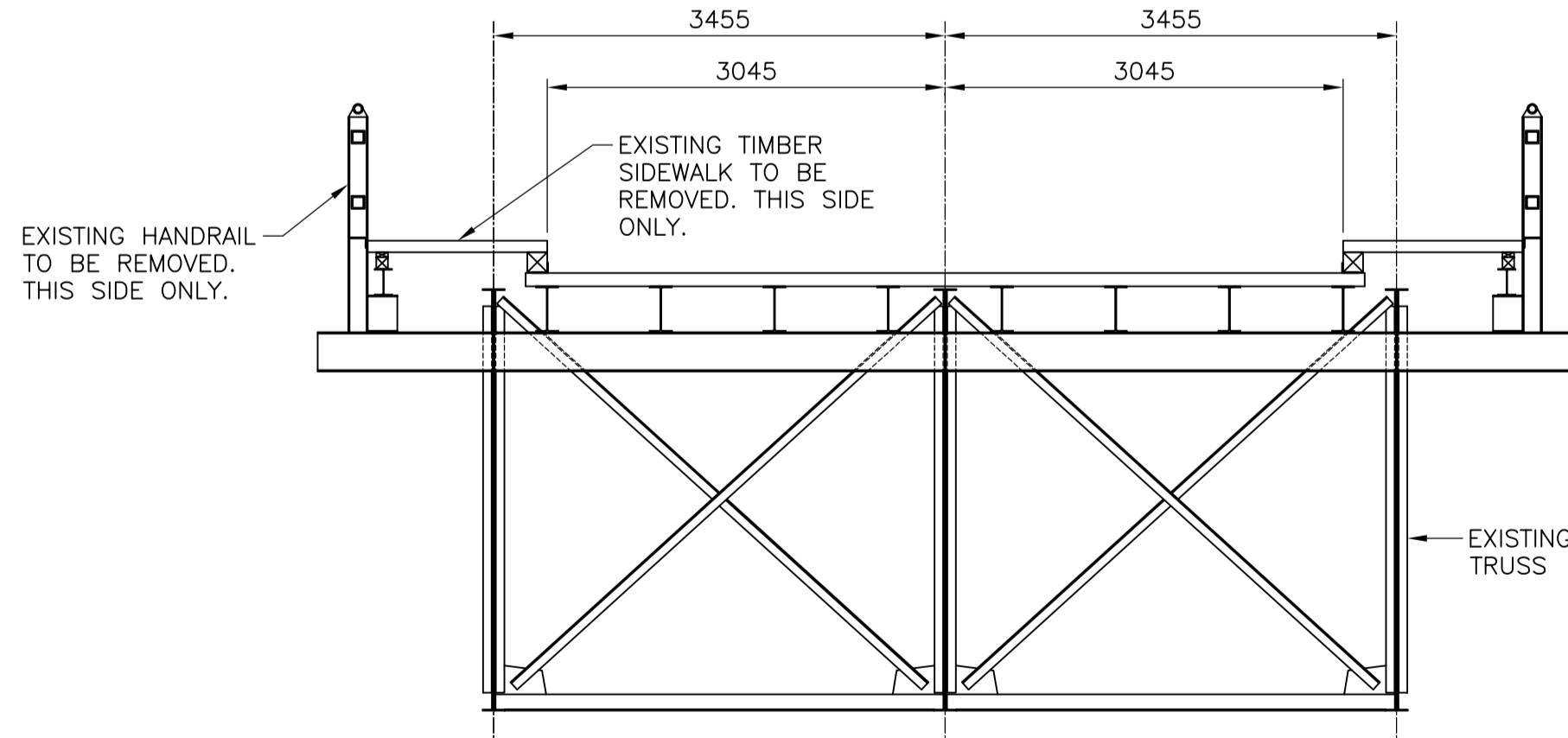
PLAN - EXISTING DECK

SCALE: 1:175

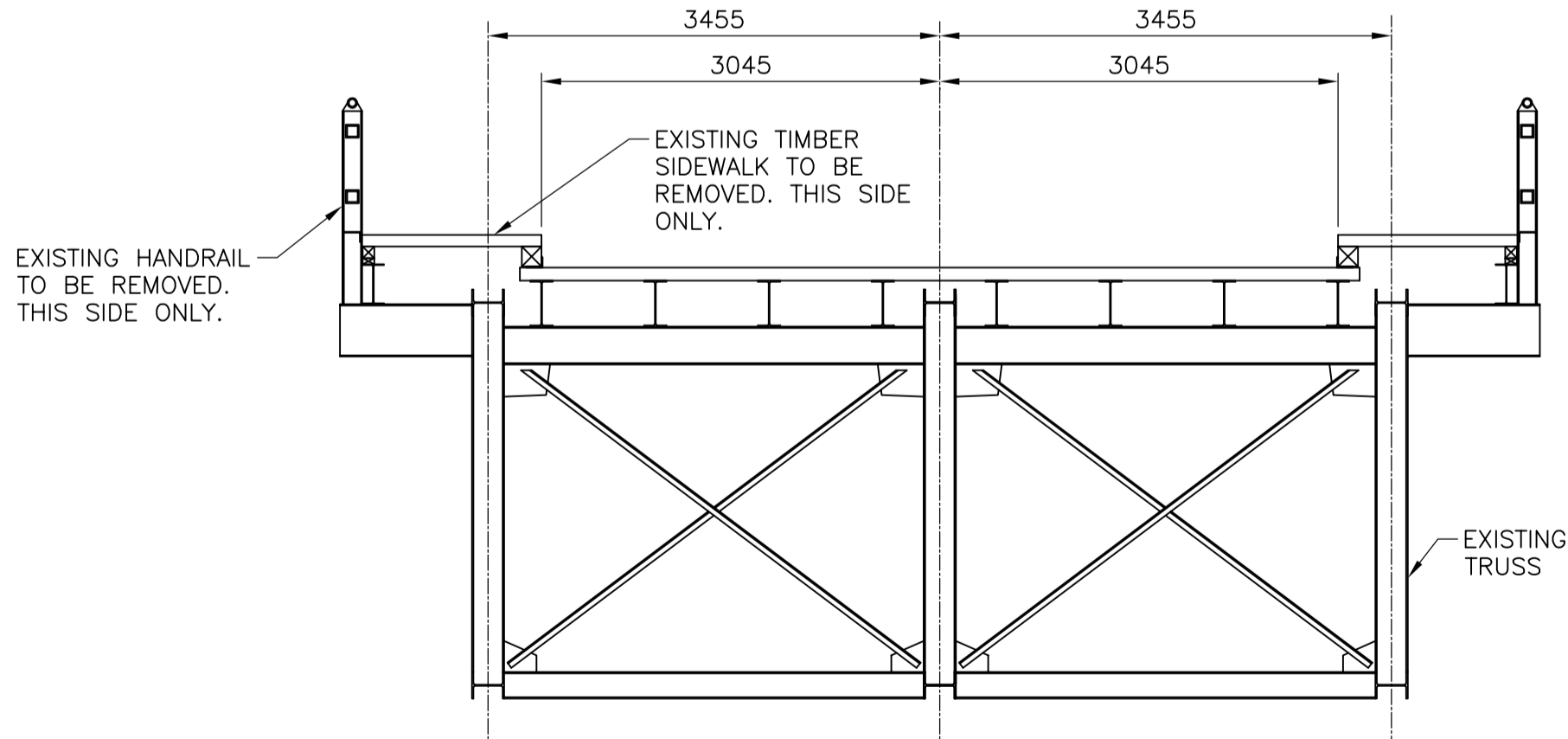


EXISTING SOUTH ELEVATION

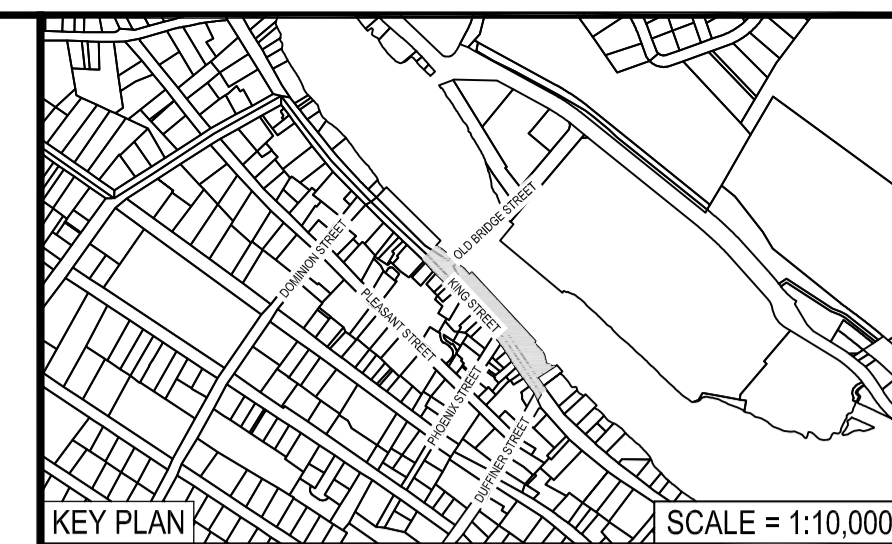
SCALE: 1:175



A SECTION
SCALE: 1:50



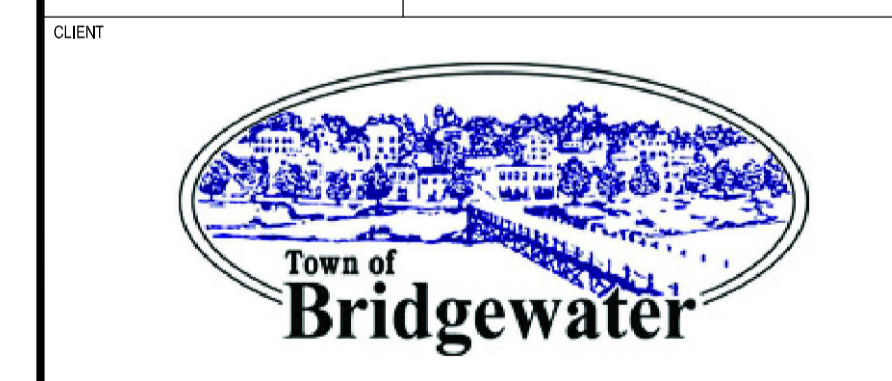
B SECTION
SCALE: 1:50



SNC-LAVALIN
 SNC-LAVALIN Inc.
 Halifax, Nova Scotia, Canada
 Telephone: (902) 492-4544
 Fax: (902) 492-4540
 Member of the SNC-LAVALIN Group

02	ISSUED FOR REVIEW	FEB. 20, 2014
NO.	DESCRIPTION	DATE

EKISTICS PLANNING & DESIGN
 1 Starr Lane, Dartmouth, NS B2Y 4V7
 902.461.2525 www.ekistics.net
 Landscape Architecture | Engineering



CLIENT
Town of Bridgewater

PROJECT
BRIDGEWATER PHASE 1 - DETAIL DESIGN

BRIDGEWATER
 NOVA SCOTIA

SHEET DESCRIPTION
**EXISTING BRIDGE
 PLAN AND SECTIONS**

SCALE	DATE	SHEET
AS NOTED	2013/12/19	S1
DRAWN	CHECKED	PROJECT NO.
JR	JR JR	615654
		X